

CAUTION: PL Mount Screws

Summary

This note explains why the 16SR 3 PL mount screws should not be used on any other ARRI camera.

Caution!

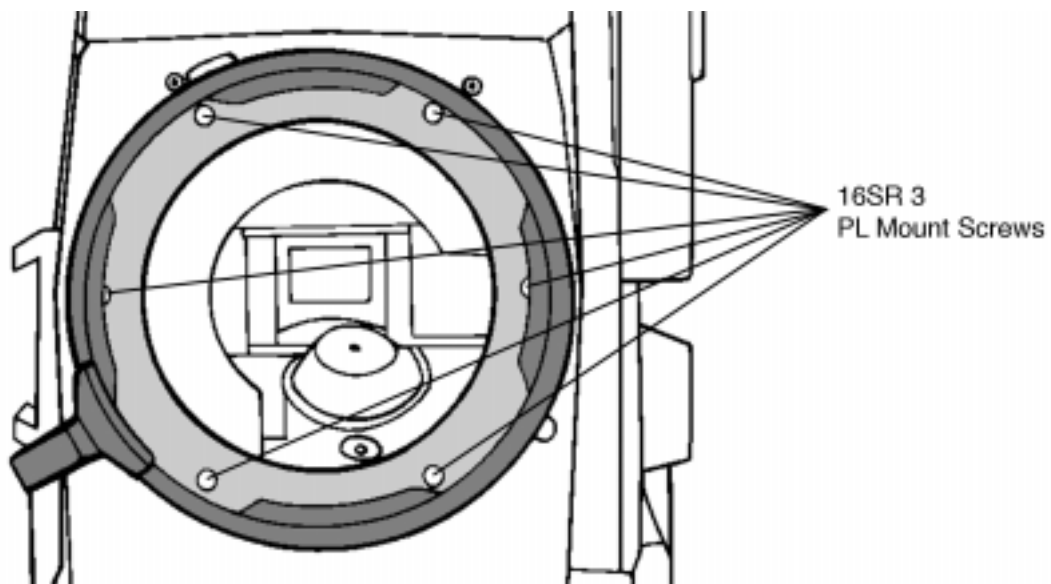
The screws used to attach the PL mount to the 16SR 3 are 4 mm longer than the screws used on other ARRI PL mounts. Do not use these screws to attach a PL mount to any other ARRI camera. On some other ARRI cameras the longer screws will actually reach the mirror shutter and will shatter it when the camera is started!

16SR 3 PL mount screw dimensions: M 2.5 x 10 mm

16SR 3 PL mount screw part number: 05.01444.C

Other ARRI camera PL mount screw dimensions: M 2.5 x 6 mm

Other ARRI camera PL mount screw part number: 05.01380.H



Cross Reference

- None

Article Change History

June 25, 1998 Article was created.

Keywords

16SR 3, PL mount, screws, 05.01444.C, 05.01380.H

For more information on this issue, please contact your local ARRI representative.